



Looking for the classic porcelain lampholder? A hard-to-find household adapter? Or a wide range of replacement appliance switches? You'll find them in our accessory line — along with quality materials, durability, and time-tested designs.

Index

Device	Page Number
Appliance Switches	T-2
Fluorescent Lampholders	T-3
Incandescent Lampholders	T-4 – T-6
Household Devices	T-6 – T-9
Fluorescent Starters & Wall Plate Inserts	T-10
Special Purpose Devices – Despard®	T-11, T-12
Low-Voltage Switching Components	T-13 – T-15

Electrical Accessories Appliance Switches

Appliance Switches							
	Catalog Number	Rating	Description	Color	UL	CSA	cULus
	423	6A 125V 3A 250V	In-line cord switch, light-duty.	Brown	•	•	
	410WCC25	3A 125VT		White			•
	5410CC10	10A 125V 5A 250V	Heavy-duty, feed-thru cord switch, single pole, ON-OFF sequence, markings near toggle.	Black	•	•	
	5410WCC10			White	•	•	
	574T	3A 125V 1A 125VT 1A 250V	Rotary, single pole, non-removable black phenolic stem, 2 black leads. (18 AWG) 6.5" long, ON-OFF sequence.	Black	•		
	575	3A 250V 1A 250V	Push button canopy switch, single pole, Bakelite plunger, ON-OFF sequence, RU Listed.	Brown	•		
	653	6A 125VT 3A 250V	Rotary, single pole, two circuit, four position, heavy-duty, black, blue, red leads, 1st ON, 2nd ON, both ON, OFF sequence. RU Listed.		•		
	90577	6A 125V 3A 250V	Rotary, single pole, 2 position ON-OFF sequence.				
	738	8A 125V	Toggle, single throw, ON-OFF sequence, 2 black leads. (18 AWG) 6.5" long, RU Listed.			•	
	804	6A 120V-L 13A 120V (H) 3A 240V 5A 240V (H) 1/4 HP @ 120V	Rotary, single pole, 3-position, quick wire terminals, OFF-L#1-L#2 sequence, for 2-speed motor, RU Listed.		•		
	168950	3A 125V-L 6A 125V 3A 250V 1/4 HP @ 125/120V	Pull chain, two circuit, four position, 1st ON, 2nd ON, both ON, OFF sequence, RU Listed.		•	•	
	9382	40W 125V	Push button for fluorescent starter, ON-OFF sequence.	Black	•	•	
	220	6A 125V 3A 250V	Heavy-duty single pole canopy pull switch. 2 black leads (18 AWG) 6.5" long, RU Listed.		•	•	

Electrical Accessories Fluorescent Lampholders

Pass & Seymour



Fluorescent Lampholders						
Catalog Number	Rating	Description	Color	UL	CSA	
3901W	660W 600V	Medium bi-pin, screw terminals.	White	•	•	
3911W	660W 600V	Medium bi-pin, pressure lock terminals, includes starter base.	White	•	•	
464	660W 600V	Pedestal type, recessed, contact, plunger, with floor terminal screw cover (for 800 & 1500MA T-12 lamps).	White	•	•	
465	660W 600V	Pedestal type, recessed, fixed, quick wire terminals (for 800 & 1500MA T-12 lamps).	White	•	•	
466	660W 1000V	Pedestal type, recessed, plunger, quick wire terminals (for all sizes of lamps T-12, T-8, and T-6).	White	•		
467	660W 600V	Pedestal type, recessed, fixed, quick wire terminals (for all sizes of lamps T-12, T-8, and T-6).	White	•		
623	660W 600V	Snap-in, high output with plunger.	White	•	•	
2536	660W 1000V	Slimline, for single pin lamps, shallow base, slide plunger, push in terminal.	White	•	•	
2537	660W 600V	Slimline, for single pin lamps, shallow base, slide fixed, 2 push in terminals.	White	•	•	
13053UN	660W 660V	Slide-on, short, for medium bi-pin lamps with captive nut, 4 quick wire terminals.	White	•		
13057UN	660W 600V	Slide-on, for medium bi-pin with captive nut, 4 quick wire terminals.	White	•	•	



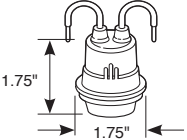
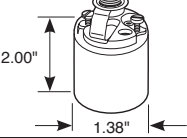
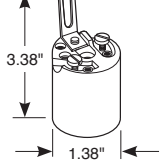
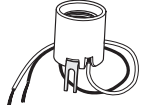

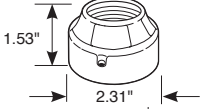
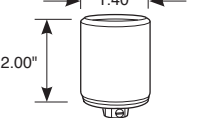

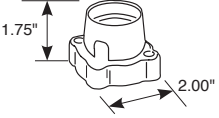
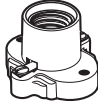
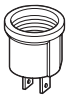
Electrical Accessories Incandescent Lampholders

Medium Base Lampholders						
	Catalog Number	Rating	Description	Color	UL	CSA
<p>276WH</p>	272	660W 250V	Medium base, porcelain, one piece keyless, 2 terminals with tri-drive screws, fits 3-1/4" and 4" boxes, with cage neck.	White	•	•
	272WH6	660W 250V	Same with 6" leads.	White	•	•
	274	660W 250V	Medium base, porcelain, one piece keyless, 4 terminals with tri-drive screws, fits 3-1/4" and 4" boxes.	White	•	•
	276WH	660W 250V	Medium base, phenolic, one-piece keyless, 4 terminals with tri-drive screws, fits 3-1/4" and 4" boxes, with cage neck.	White	•	•
	276WH6	660W 250V	Same with 6" leads.	White	•	•
<p>280WH</p>	282	250W 250V	Medium base, porcelain, pullchain, 2 terminals with tri-drive screws, fits 3-1/4" and 4" boxes, with cage neck.	White	•	•
	284	250W 250V	Medium base, porcelain, pullchain, 4 terminals with tri-drive screws, fits 3-1/4" and 4" boxes, with cage neck.	White	•	•
	280WH	250W 250V	Medium base, phenolic, pullchain, 4 terminals with tri-drive screws, fits 3-1/4" and 4" boxes, with cage neck.	White	•	•
	280WH6	250W 250V	Same with 6" leads.	White	•	•
<p>288</p>	29816C2	250W 250V	Medium base, porcelain, pullchain, 2 terminals with tri-drive screws, 6" leads, fits 3-1/4" and 4" boxes with cage neck.	White	•	•
	288	250W 125V	Medium base, porcelain, pullchain, 2 terminals with tri-drive screws, 15A 125V grounding receptacle, fits 3-1/4" and 4" boxes, with cage neck.	White	•	•
Metal Shell Lampholders						
<p>7070PG 7090PG</p>	7070PG	250W 250V	Medium base, metal shell, removable turn knob, electrolier, 2 lamp controls, 3 terminals, 1st ON, 2nd ON, both ON, OFF sequence.		•	•
	7070M		Interior only for 7070-PG.		•	
	7090PG	250W 250V	Medium base, metal shell, removable turn knob, electrolier, 3-way LO-MED-HIGH.		•	
	7090M		Interior only for 7090-PG.		•	
	7090MH		Interior only with hickey for 7090-PG.		•	
	6098PG	660W 250V	Medium base, push through, metal shell, electrolier, single circuit.		•	•
	7080M		Interior only for 6098-PG.			•
	1008316	250W 250V	Medium base, metal shell, removable turn knob, single circuit, electrolier, 1/8" IPS tapped bushing with set screw.		•	
	10083M		Interior only for 10083-16.		•	
	19980PG	660W 250V	Medium base, metal shell, pull chain, electrolier, single circuit, 1/8" IPS bushing with set screw.		•	•
	8002M		Interior only for 19980.		•	



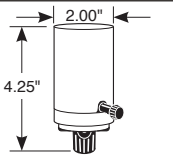
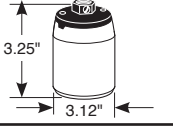
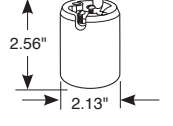
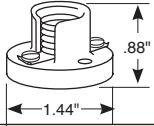
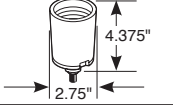
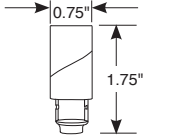
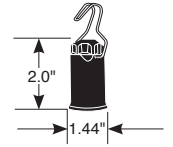
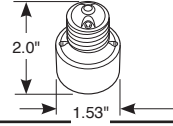


Electrical Accessories Incandescent Lampholders

Pass & Seymour



Metal Shell Lampholders							
Catalog Number	Rating	Description	Color	UL	CSA	cULus	
975ABDCC10	660W 250V	Medium base, metal shell, keyless.		•	•		
Medium Base Lampholders							
8101	660W 250V	Medium base, porcelain, keyless, single circuit, 2 piece ring with leads. 1-3/8" to 1-1/2" hole.	White	•			
201	660W 600V	Medium base, rubber, keyless, for temporary lighting, 2 wire leads 6" long.	Black	•		•	
31528	660W 250V	Medium base, porcelain, screw terminals, keyless, single circuit, fixture pan with 1/8" IPS hickey.	White	•	•		
3352F	660W 250V	Medium base, porcelain, keyless, screw terminals, short base.	White	•	•		
8052CC10	660W 250V	Medium base, porcelain, bracket mount.		•	•		
9814	250W 250V	Medium base, porcelain, 2-piece pull chain, ring type, screw terminals, gasket furnished.	White				
9880	660W 250V	Medium base, porcelain, surface mount type, 2-piece.	White	•	•		
10045	660W 250V	Medium base, porcelain, keyless, single circuit with screw terminals, aluminum screw shell with set.	White	•	•		
10085	660W 250V	Medium base, porcelain, keyless, single circuit with 2-18 AWG leads 6" long.	White	•	•		
19062	660W 250V	Medium base, porcelain, pony cleat type, terminal screws.	White	•	•		
S752WCC10	660W 250V	Medium base, cleat sockets, front wire.	White			•	
61	660W 125V	Medium base, outlet to lampholder, 2 Pole, 2 Wire.	Brown				

Electrical Accessories Incandescent Lampholders & Household Devices

Medium Base Lampholders							
	Catalog Number	Rating	Description	Color	UL	CSA	cULus
	4017CC10	660W 250V	Medium base, single-to-twin.		•	•	
	4063CC10	250W 250V	Medium base, turn knob, 3 way.		•	•	
Mogul Base Lampholders							
	8601	750W 250V	Mogul base, porcelain, removable turn knob, 2 circuits, hickey tapped 1/4" IPS x 7/8" high.	White	•		
	8678	1500W 600V	Mogul base, porcelain, keyless, single circuit, 1/4" IPS 13/16" hexagon x 9/16" high with screw set.	White	•	•	
	8694	1500W 600V	Mogul base, porcelain, screw terminals, keyless, single pole with bushings, 4KV pulse rated.	White	•		
Pony Cleat Type Lampholders							
	10020	75W 125V	Pony cleat type, plastic, miniature base.	White			
	10028	75W 125V	Pony cleat type, plastic, candelabra base.	White			
Candelabra Base Lampholders							
	4155	660W 250V	Candle socket, bottom turn knob, one piece, phenolic body.	Black	•		
	10027	75W 125V	Candelabra base, keyless, screw terminals, solid hickey, overall height 1-1/2", paperboard sleeve.		•		
Temporary Lighting Devices							
	267	75W 125V	Keyless, candelabra base, detachable wire hook, two piece pin type, for temporary use.	Brown	•		
	43308	660W 250V	Medium base, phenolic, pin type hook supplied, for temporary use.	Black	•		
Socket Extensions/Clusters							
	2005	660W 250V	Socket extensions, medium-to-medium, one piece porcelain, 1.25" extension.	White	•	•	
	2006	660W 250V	Socket extensions, medium-to-medium, one piece phenolic, 1.1875" extension.	White	•	•	
	341DU4	660W 250V	Medium base, multi-lampholder cluster, 3 lights 1/8" IPS male (top & bottom), 2 wire leads (18 AWG) 6.5" long.	Black			
	4015D4F	660W 250V	Medium base, multi-lampholder cluster, 2 lights 1/8" IPS male (top & bottom).	Black			

Electrical Accessories Household Devices

Pass & Seymour



Plugs & Connectors						
Catalog Number	Rating	Description	Color	UL	CSA	
101	15A 125V	Clamptite plug, light-duty, 2 Pole, 2 Wire.	Black	•		
101W			White	•		
84BKCC20	15A 125V	Angle plug, light-duty, 2 Pole, 2 Wire.	Black	•	•	
111MC	15A 125V	Rubber plug, with vinyl cord clamp, 2 Pole, 2 Wire.	Black	•		
111GMC	15A 125V	Rubber plug, with vinyl cord clamp inner assembly, 2 Pole, 3 Wire, (mates with 114GMC).	Black	•		
114GMC	15A 125V	Rubber connector, with vinyl cord clamp, 2 Pole, 3 Wire, (mates with 111GMC).	Black	•		
123P	10A 125V 3A 125V	Easy wire plug, 10A 125V use with 18-2 SPT-1 Cord, 3A 125V use with 20-2XT Cord, non-polarized.	Brown	•		
123PI			Ivory	•		
123PW			White	•		
48643	15A 125V	Plug, vinyl, short flat, 2 Pole, 2 Wire.	Brown	•		
83CC4	30A 125V	Angle travel trailer plug, 2 Pole, 3 Wire.	Black	•	•	
SA155BKCC10	15A 125V	Straight blade connector, polarized, 2 Pole, 2 Wire.	Black	•	•	
SA155CC10			Brown	•	•	
SA155WCC10			White	•	•	
SA440BKCC10	15A 125V	Straight blade plug, 2 Pole, 2 Wire.	Black	•	•	
SA440CC10			Brown	•	•	
SA440WCC10			White	•	•	
SA540BKCC10	15A 125V	Straight blade plug, polarized, 2 Pole, 2 Wire.	Black	•	•	
SA540CC10			Brown	•	•	
SA540WCC10			White	•	•	
SA840BKCC10	15A 125V	Straight blade plug, with cord clip, 2 Pole, 2 Wire.	Black	•	•	
SA840CC10			Brown	•	•	
SA840WCC10			White	•	•	
SA399BKCC10	15A 125V	Straight blade plug, 2 Pole, 3 Wire.	Black	•	•	
SA399GRYCC10			Gray	•	•	
SA399OCC10			Orange	•	•	
SA399WCC10			White	•	•	
SA993BKCC10	15A 125V	Straight blade connector, 2 Pole, 3 Wire.	Black	•	•	
SA993GRYCC10			Gray	•	•	
SA993OCC10			Orange	•	•	
SA993WCC10			White	•	•	

All devices listed on this page conform to NEMA WD-1 and WD-6.

Quick Clamp Plugs & Connectors

Catalog Number	Rating	Description	Color	UL	CSA	
123PQC	10A with 18AWG SPT-1 & 2 Cord, 13A with 16AWG SPT-1 Cord	2 wire Quick Clamp plug	Brown	•		<p>123PQC 123C3W</p>
123PQCW			White	•		
123C3W		2 wire tri-tap Quick Clamp connector	White	•		
Adapters						
125	15A 125V 660W	Lampholder to outlet, medium base.	White	•		
1403	660W 125V	Medium base lampholder/outlet adapter, keyless lampholder with 2 outlets, 2 Pole, 2 Wire.	Black	•		
1406	250W 125V	Medium base lampholder/outlet adapter, pull chain lampholder with 2 outlets, 2 Pole, 2 Wire.	Black	•		
1406I			Ivory	•		
128	15A 250V 660W	Single lampholder-to-twin lampholder, medium base.	Brown	•		
8681	660W 250V	Mogul to medium socket adapter, 1 piece. 1.66" Dia. x 2.0" Deep	White	•	•	
313CC10	75W 125V	Socket reducer, medium to candelabra, keyless.	Black	•	•	
1264	15, 20A 125V	Travel trailer adapter, 2 Pole, 3 Wire.				
210G	15A 125V	Adapter, parallel blades, molded rubber, polarized, 3 Wire grounding.	Gray	•		
1482ICC10	15A 125V	Cube tap, single to triple outlet, 2 Pole, 3 Wire.	Ivory	•	•	
68	15A 125V	Cube tape, phenolic, single to triple, 2 Pole, 2 Wire.	Brown			
68I			Ivory			
63	15A 125V	Plug-in adapter, single to triple, polarized, 2 Pole, 2 Wire.	Brown	•	•	
63I			Ivory	•	•	
69I	15A 125V	Plug-in adapter, single to triple, swivel, polarized, 2 Pole, 2 Wire.	Ivory	•	•	
69W			White	•	•	

Adapters						
Catalog Number	Rating	Description	Color	UL	CSA	
697	15A 125V	Plug-in outlet adapter, single to triple, 2 Pole, 3 Wire.	Brown	•		
697I			Ivory	•		
697RI	15A 125V	Plug-in outlet adapter, single to triple, rubber, 2 Pole, 3 Wire.	Ivory	•		
697W	15A 125V	Plug-in outlet adapter, single to triple, 2 Pole, 3 Wire.	White	•		
226PAI	15A 125V	Plug-in adapter, two to six, polarized, 2 Pole, 3 Wire.	Ivory	•	•	
226PAW			White	•	•	
1746WCC5	15A 125V	Plug-in adapter, two to six, polarized 2 Pole, 2 Wire.	White	•	•	
Miscellaneous Devices						
941904	150W 120V	Dawn to dusk dimmer, automatic light sensor fits into standard lamp socket. Indoor or outdoor use.	Gray	•	•	
13741	15A 125V	Snap-in receptacle, 3 Wire grounding outlet with 6" leads, No. 14AWG 105°C plastic.	Black	•	•	
13741B	15A 125V	Bulk Package. Snap-in receptacle, 3 Wire grounding outlet with 6" leads, No. 14AWG, 105°C plastic.	Black	•	•	
746ICC10	15A 125V	Surface outlet, 2 Pole, 2 Wire.	Ivory	•	•	
779CC5	15A 120/277V	Cover-mounted switch.		•	•	
735CC10	10A 125V 5A 250V	Surface mount switch	Black	•	•	
735ICC10			Ivory	•	•	
5SC		Outlet safety caps.	Clear	•		

Fluorescent Starters				
	Catalog Number	Description	UL	CSA
<p>FS2 FS4 FS5 FS25</p>	FS2	Glow switch starter without reset, 2 pins 14, 15 & 20W.	•	•
	FS4	Glow switch starter without reset, 2 pins 13, 30 & 40W.	•	•
	FS5	Glow switch starter without reset, 2 pins 4, 6 & 8W.	•	•
	FS25	Glow switch starter without reset, 2 pins 22W Circline 25W Std.	•	•
Wall Plate Inserts				
Dimensions	Catalog Number	Description	Finish	Color
	325I 325W 325 325BK 325LA	Mounting strap for blank insert. Box mounted. Changes decorator opening to blank.	Polycarbonate Plastic	Ivory White Brown Black Light Almond
	326I 326W 326 326LA	Mounting strap for blank insert. Box mounted. Changes decorator opening to blank.	Painted Steel	Ivory White Brown Light Almond
	327I 327W 327 327LA	Mounting strap for dimmer insert. Box mounted. Change from decorator to toggle opening.	Painted Steel	Ivory White Brown Light Almond
	80700I 80700W 80700LA	Mounting strap for blank insert. Box mounted. Changes toggle opening to blank.	Thermoset Plastic	Ivory White Light Almond

Electrical Accessories Special Purpose Devices – Despard®

Pass & Seymour



Catalog Number		Color	Rating		3rd Party Compliance
Single Pole	Three-Way		A.	V.	UL UL20
Toggle Switches Screw Terminals					
ACD1I	ACD3I	Ivory	15	120/277	•
ACD1W	ACD3W	White	15	120/277	•
ACD1	ACD3	Brown	15	120/277	•
ACD201I	ACD203I	Ivory	20	120/277	•
ACD201	ACD203	Brown	20	120/277	•

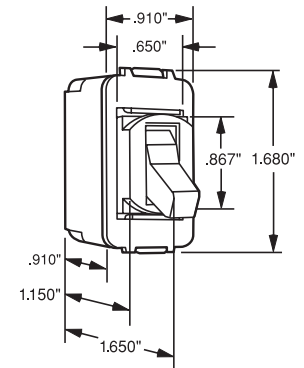
HP Conversion Table

15 Amp	1/2 Horsepower at 120V	2 Horsepower at 240V
20 Amp	1 Horsepower at 120V	2 Horsepower at 240V

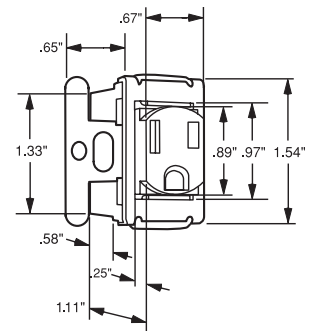
Catalog Number	Color	Rating A. V.	Description	3rd Party Compliance UL UL498
Receptacles Three Wire Grounding				
1432	Ivory	15 125	Must be installed in end opening of strap with Ground Lead	•
1532	White	15 125		•
1332	Brown	15 125		•
1433	Ivory	15 125		•
1333	Brown	15 125		•

Catalog Number			Rating		Description	3rd Party Compliance
Ivory	Brown	White	W.	V.		UL UL542
Neon Pilot Lights						
1475	1375	1575	1/25	125	Flush Red Neon Pilot	•
	1375220		1/8	220	Light with Screw Terminals	•
1475277			1/6	277		•

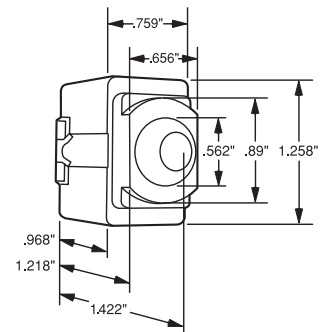
Catalog Number	Color	Rating A. V.	Description	3rd Party Compliance UL UL542
Flush Pilot Lights with Mounting Straps				
1376	Brown	6 125	Single, for Single Vertical Opening Plate	•
1377	Brown	6 125	Combination, for Switch or Outlet Plate	•



ACD1



1432



1475

Electrical Accessories Special Purpose Devices – Despard®

Catalog Number	Description	Screw Spacing	Finish
Mounting Straps			
342	Tandem mounting strap with two vertical openings. Plate screw hole spacing 4-3/8".	4-3/8"	Bright Zinc
347	Mounting strap with single vertical opening. Plate screw hole spacing 3-13/16". Box mounted.	3-13/16"	Bright Zinc
348	Mounting strap with three horizontal openings. Plate screw hole spacing 3-13/16". Box mounted.	3-13/16"	Bright Zinc
1354	Appliance Strap.	1-31/32"	

The correct style of mounting strap is furnished with each Despard wall plate, but straps may be ordered separately.

Consult Page S-34 for additional mounting straps.

Dimensions

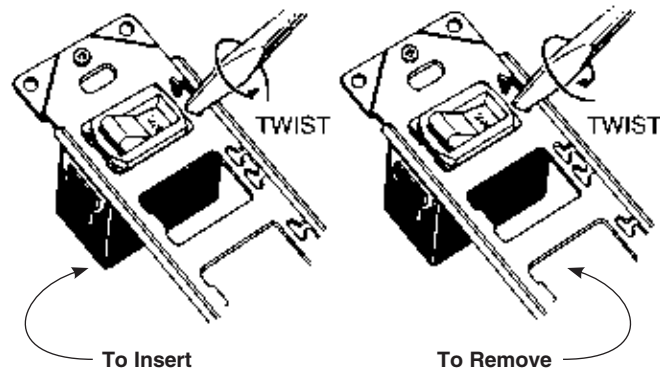
342: Overall height 5.25", mounting slot height 4.375", width 1".

347: Overall height 3.8125", mounting slot height 2.375", width 1.3125".

348: Overall height 3.8125", mounting slot height 3.28125", width 1.46875".

Installation & Removal

To assemble Despard devices in strap, insert tab on strap into the slot in the device; a twist of a screwdriver in the slots on the opposite side of the strap turns a slim strip of metal into the mounting slot on that side of the device to lock the device securely in place. To remove the device, reverse the procedure.



Electrical Accessories

Low-Voltage Switching Components

Pass & Seymour



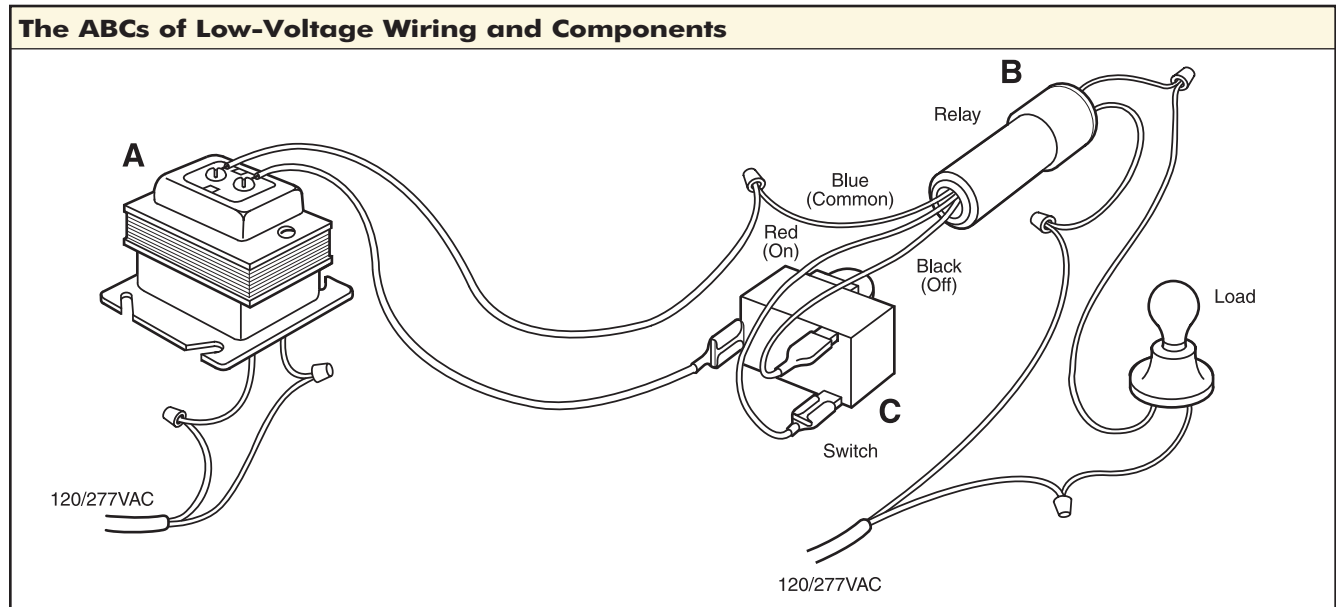
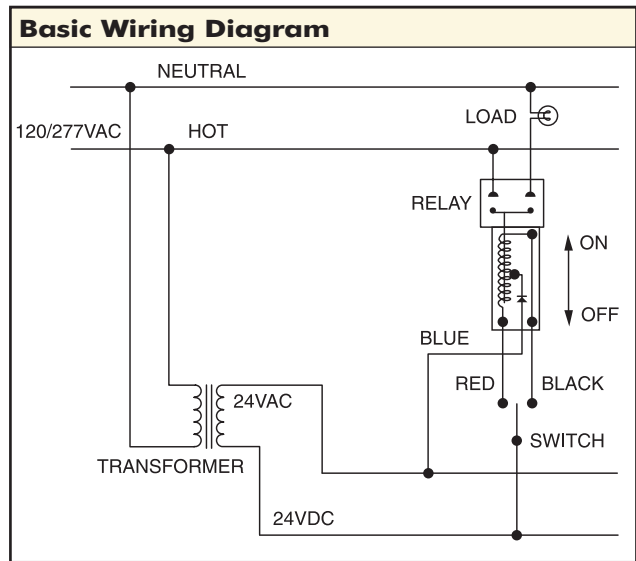
Application

Pass & Seymour/Legrand's Low-Voltage Remote Control Products consist of reliable, field-tested switching circuitry that provide central or local control of lighting loads throughout a building. These are best applied in institutions, schools, commercial buildings, warehouses and other installations where the ON-OFF switching of lighting is widely dispersed throughout the structures.

Important:

Low-Voltage Switching Components are specifically designed for switching incandescent and fluorescent lighting (non-HID) loads.

Low-Voltage Switching Components are not to be used with any components supplied by other manufacturers. Misapplication or improper use may void product warranties.



The low-voltage system differs from conventional switch wiring by actuating relays through the use of momentary contact switches. This type of switching utilizes a transformer to provide safe low-voltage current to control line voltage circuits. The wiring of lights and other electrical loads is installed in the conventional manner.

The above illustration simplifies a low-voltage circuit with its basic components:

A. Transformer – Converts line voltage to low-voltage. All low-voltage components operate using 24 volts furnished by the step-down transformer. Secondary output is 3-12A.

B. Relay – The magnetic relay switches line voltage. A momentary 24 volt pulse energizes the “ON” or “OFF” coils to make or break line voltage contacts.

C. Switches – Switches are momentary contact type used to energize either the “ON” or “OFF” coils of a relay. Momentary contact switches are normally open, single pole, double throw.

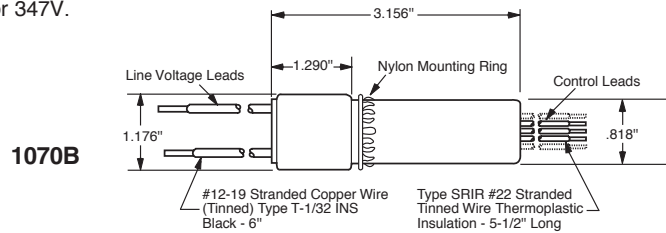
Electrical Accessories

Low-Voltage Switching Components

Features	
<ul style="list-style-type: none"> Mount in standard 1/2" KO through noise suppressing nylon ring. Maximum ambient temp: 140°F (60°C). Insulated flame retardant nylon shell. Prestripped 5-1/2" (140mm) #22 AWG leads for easy wiring. 	<ul style="list-style-type: none"> Split coil design energizes ON coil to close line contacts, and OFF coil to open contacts. Can be mounted in any position. Operates on momentary impulse. Draws .520 mA.

Catalog Number	Rating A. V.	3rd Party Compliance	
		UL Listed	CSA Listed
Magnetic Latching Relay, 24V/24VDC Control			
1070B	20 120/277V 20 347V	•	•

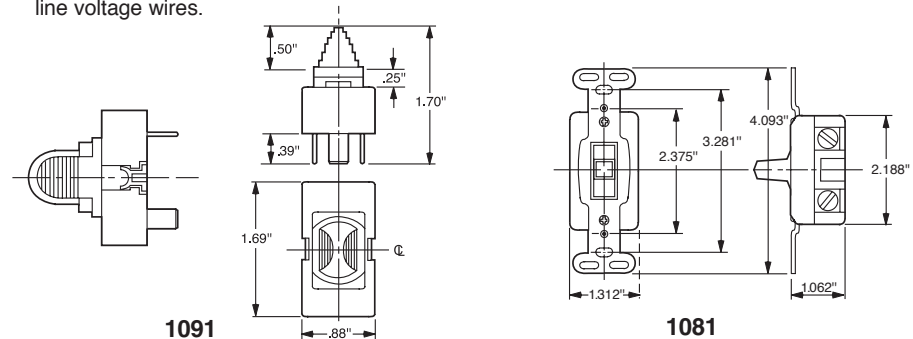
CSA listed for 347V.



Features	
<ul style="list-style-type: none"> Available in Despard® interchangeable and heavy-duty toggle versions. Side wired screw terminals. 	<ul style="list-style-type: none"> Heavy-duty toggles recommended where low-voltage switches must match conventional switches.

Catalog Number	Color	Rating A. V.	Description
Momentary Contact Switches			
1091I	Ivory	3 24 AC/DC	Despard Interchangeable
1091W	White	3 24 AC/DC	Despard Interchangeable
1091	Brown	3 24 AC/DC	Despard Interchangeable
1091GRY	Gray	3 24 AC/DC	Despard Interchangeable
1091KGRY	Gray	3 24 AC/DC	Despard Interchangeable, Key-Locking
1050K			Key only for Despard Locking Switch
1081I	Ivory	3 24 AC/DC	Heavy-Duty Toggle
1081W	White	3 24 AC/DC	Heavy-Duty Toggle
1081	Brown	3 24 AC/DC	Heavy-Duty Toggle
1081GRY	Gray	3 24 AC/DC	Heavy-Duty Toggle
1081LA	Light Almond	3 24 AC/DC	Heavy-Duty Toggle
1081RED	Red	3 24 AC/DC	Heavy-Duty Toggle
1081KGRY	Gray	3 24 AC/DC	Heavy-Duty Key-Locking
500K			Key only for Heavy-Duty Locking Switch

Note: When installing low-voltage control wiring, wires should not be bundled or run in parallel with line voltage wires.



All devices listed on this page conform to NEMA WD-1 and WD-6.

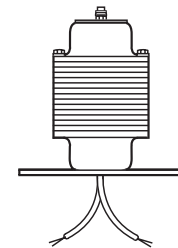
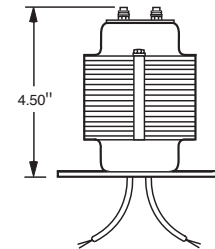
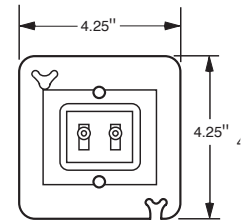
Electrical Accessories

Low-Voltage Switching Components

Pass & Seymour



Features	
<ul style="list-style-type: none"> 100% HIPOT tested primary and secondary. Built-in overload protection. 	<ul style="list-style-type: none"> Base fits 4 Screw box.



1038

Catalog Number	VA Rating	Primary Volts	Secondary Volts	Secondary Output
Transformers				
1038	75 VA	120V	24V	3.12A
1039	75 VA	277V	24V	3.12A

A 75VA transformer can drive a maximum of 7 relays simultaneously. However, the length of a wire run as well as the size of the wire itself have an effect on a transformer's output capability.

The following tables will be useful in selecting the proper wire size and length of wire runs.

75VA transformer (1038 or 1039) switch leg-length of run in feet (2 wires):

No. of Relays in Parallel	#12 Wire	#14 Wire	#16 Wire	#18 Wire	#20 Wire	#22 Wire
1	3000'	2000'	1200'	750'	500'	300'
2	1500'	1000'	600'	375'	250'	150'
3	1000'	650'	400'	250'	160'	100'
4	750'	500'	300'	180'	125'	75'
5	600'	400'	240'	150'	100'	60'
6	500'	330'	200'	125'	80'	50'
7	420'	280'	170'	100'	70'	40'

Notes:

Relays in Parallel – Relays so wired will **all** be activated by **any** switch in the circuit. If more than one transformer is used, the load should be divided between transformers.